

HALLOWEEN GIFT BOXES



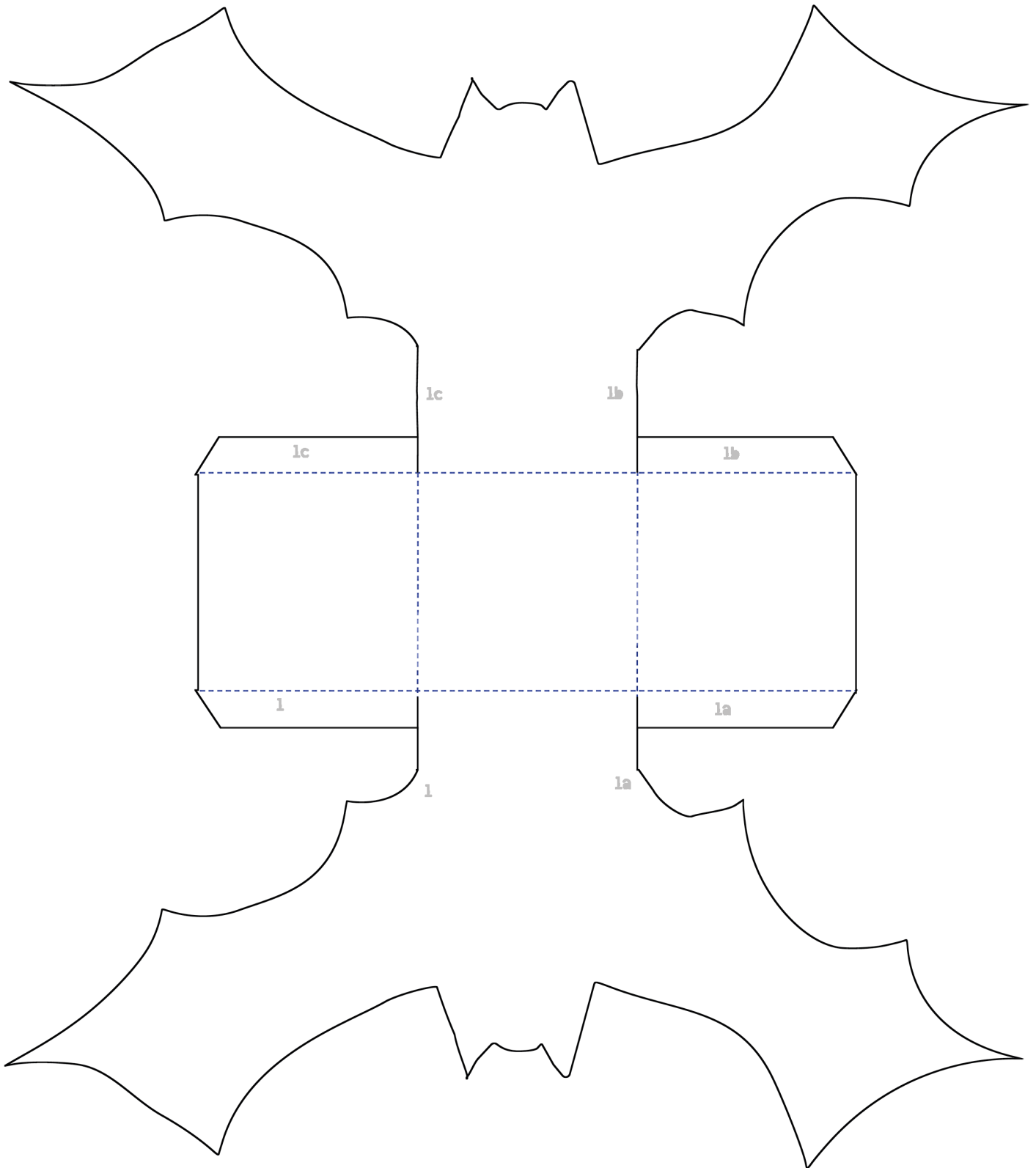
craft Activity

BAT BOX

INSTRUCTIONS:

With an adult's help, cut out the shape below. You can use this as a guide to trace around onto a sheet of black card. Then fold along the dotted lines and glue the tabs together to assemble.

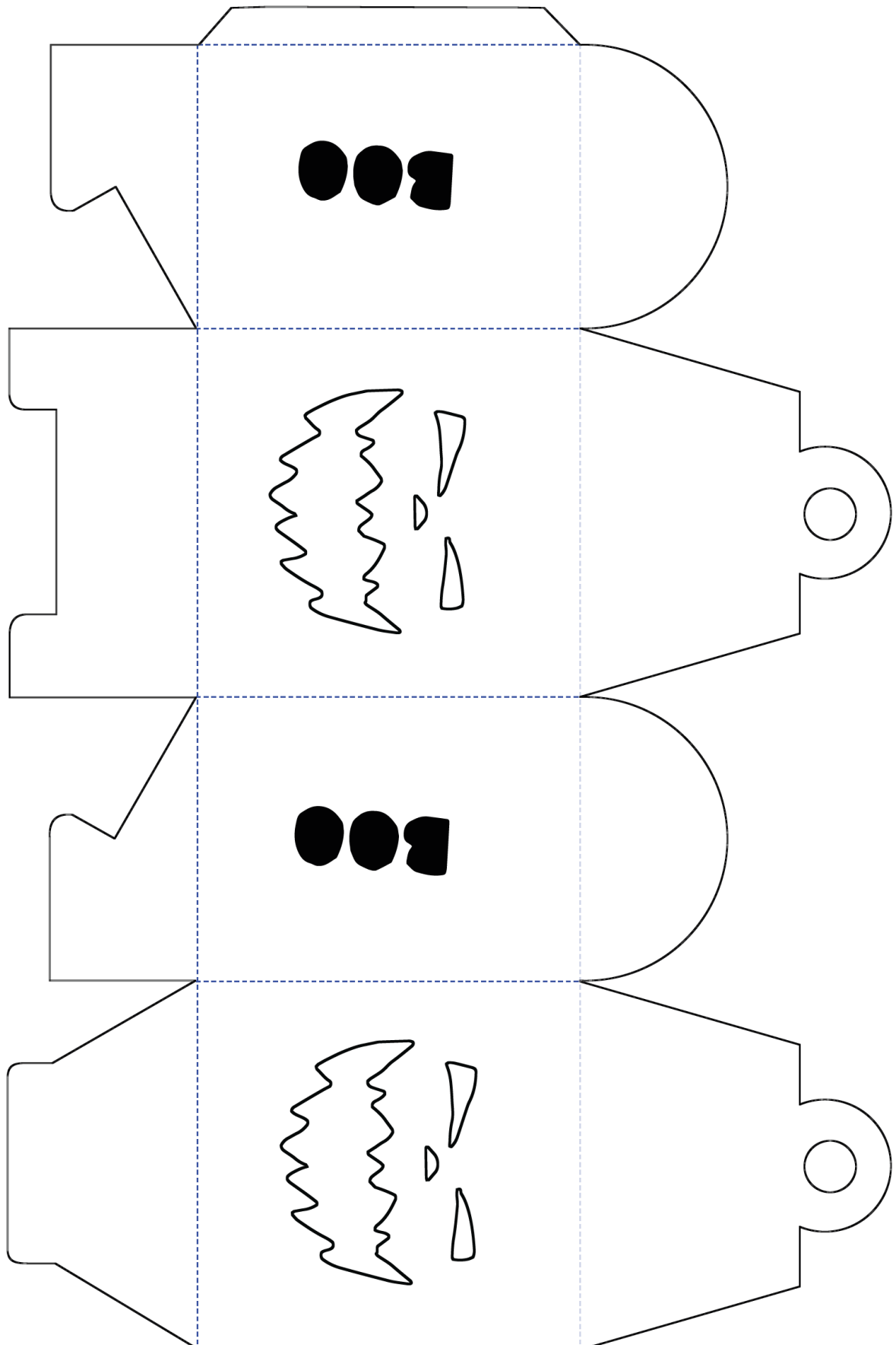
Fill with your favourite Halloween treats.



GIFT BOX

INSTRUCTIONS:

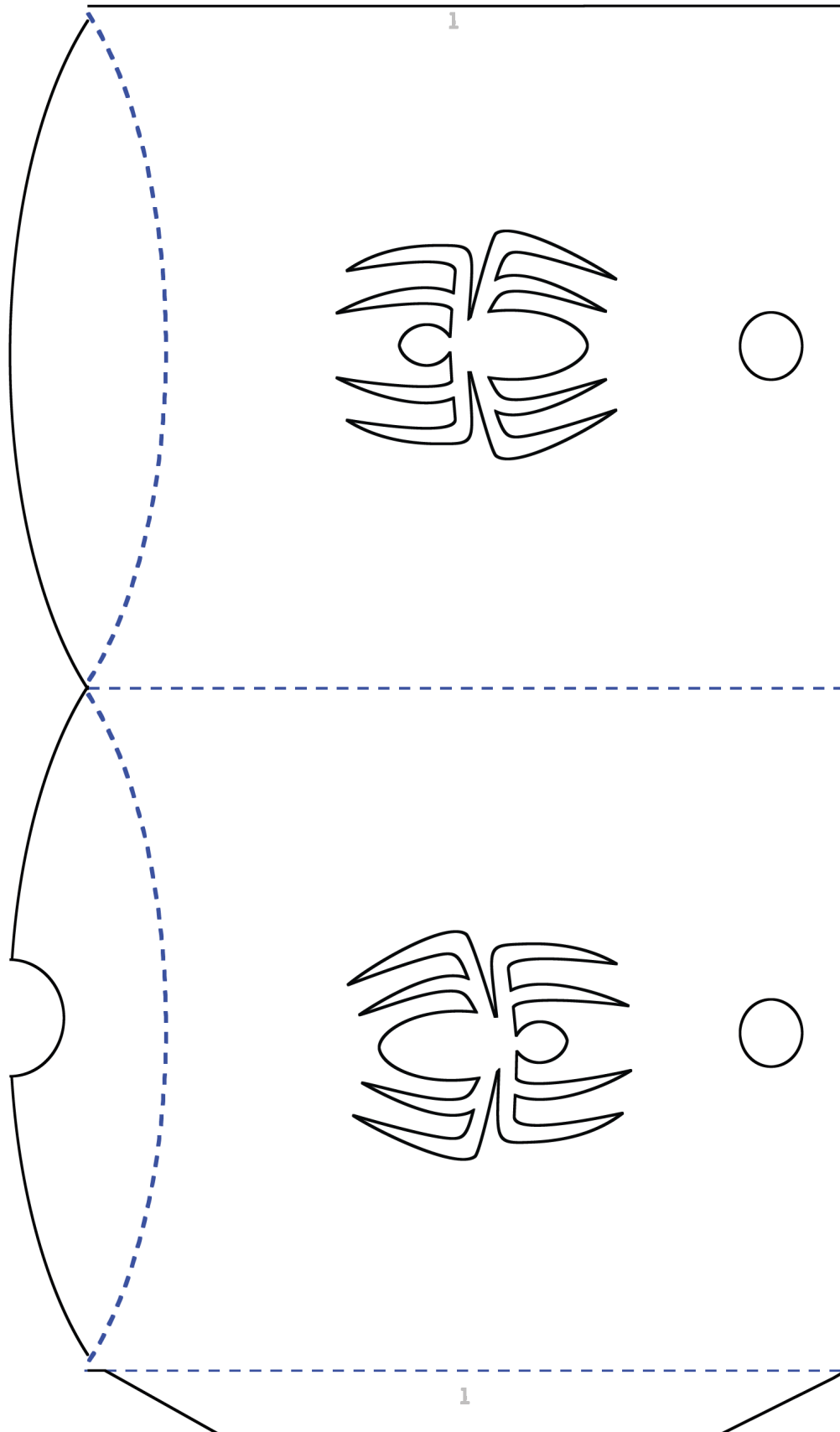
With an adult's help, cut out the shape below. You can use this as a guide to trace around onto a sheet of coloured card. Then fold along the dotted lines to assemble.



Treat BOX

INSTRUCTIONS:

With an adult's help, cut out the shape below. You can use this as a guide to trace around onto a sheet of coloured card. Then fold along the dotted lines to assemble. Use some glue to attach tab 1 to side 1.

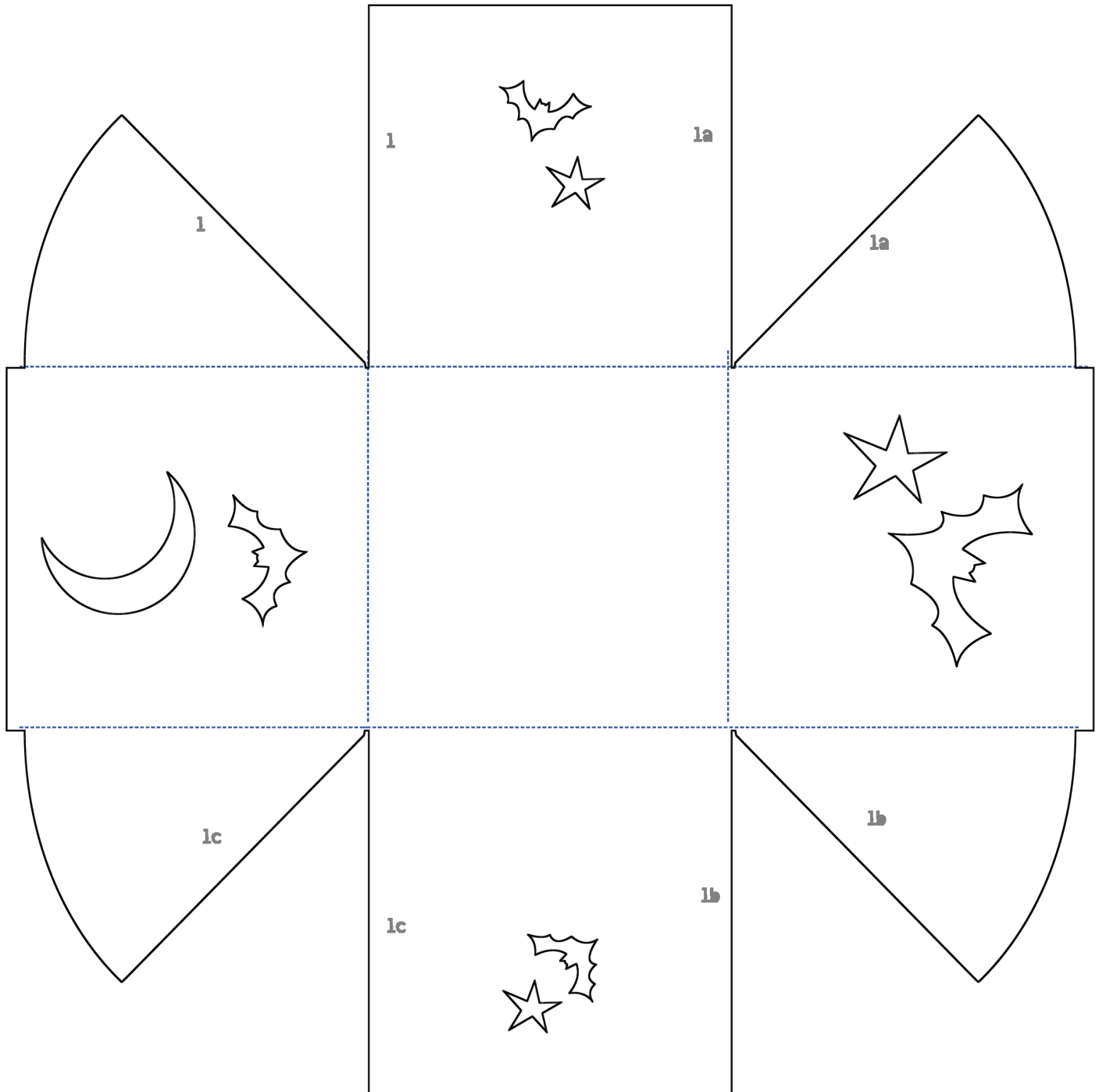


BAT BOX

INSTRUCTIONS:

With an adult's help, cut out the shape below. You can use this as a guide to trace around onto a sheet of coloured card. Then fold along the dotted lines and glue the tabs together to assemble.

Fill with your favourite Halloween treats.



Star Decoration

INSTRUCTIONS:

With an adult's help, cut out the shape below and copy 6 times. You can use this as a guide to trace around onto a sheet of coloured card. Carefully cut out the stars or the bats or both. Then fold along the dotted lines and glue the tabs together to assemble. Attach all 6 parts to each other to make a star decoration.

